

RCF-HWH: Roofing Compliance Form

BRONZE Designation Requirement

TO BE COMPLETED AND SIGNED BY BUILDING OR ROOFING CONTRACTOR. PLEASE COMPLETE ALL SECTIONS.

PROPERTY INFORMATION

Homeowner's name:

Property address:

State:

Roof installed on:

ZIP Code:

City:

County:

FORTIFIED ID:

(OBTAIN FROM HOMEOWNER OR FORTIFIED EVALUATOR)

1. Roof Sheathing Attachment

Check box to indicate how the roof deck was sealed using one of the FORTIFIED accepted methods

- Entire roof deck nailed or re-nailed with 8d ring shank nails at 6-inch on center on all framing members
- Existing 8d or larger nailing augmented with 8d ring-shank nails – spacing between existing and added nails not greater than 4-inches – on all framing members

For wood board roof deck only:

- Two nails with a minimum 0.131-inch-diameter and 1 5/8-inch-embedment are used to attach roof sheathing boards less than or equal to 8-inches wide to each framing member it crosses and three nails with a minimum 0.131-inch-diameter and 1 5/8-inch-embedment are used to attach roof sheathing boards greater than 8-inches wide to each framing member it crosses.

2. Sealed Roof Deck Option Installed

Check box to indicate how the roof deck was sealed using one of the FORTIFIED accepted methods

- SELF ADHERING TAPE APPLIED TO SHEATHING JOINTS: All seams between sheathing that forms the roof deck are taped with either an ASTM D1970 compliant self-adhering polymer-modified bitumen flashing tape at least 4-inch-wide or an AAMA 711-13, Level 3 (for exposure up to 800C/1760F) compliant self-adhering flexible flashing tape at least 3-3/4-inch-wide. Tape is applied directly to the roof deck (or primer if required by manufacturer). The taped deck is covered with a #30 ASTM D226 Type II felt or #30 ASTM 4869 Type IV felt underlayment or a reinforced synthetic underlayment which has an ICC approval as an alternate to ASTM D226 Type II felt paper installed over the entire roof deck and secured with button cap nails (6-inch spacing along laps and 12-inch spacing in field). [Note: Photographs of product labels and installation required] [Note: if ASTM 4869 felt underlayment label does not specifically state that it is Type IV, the product must weigh 26 lb./100 ft² to meet this requirement]
- TWO (2) LAYERS OF ASTM D 226 TYPE II (#30) OR ASTM D 4869 TYPE IV (#30): Two layers of underlayment are installed in a shingle-fashion, lapped 19 in. on horizontal seams (36-in. roll), and 6 in. on vertical seams. Underlayment is fastened at approximately 6 in. o.c. along the laps and at approximately 12 in. o.c. in the field of the sheet between the side laps. Underlayment is secured using annular ring or deformed shank nails with 1-in-diameter caps (button cap nails). [Note: Photographs of product labels and installation required]
- FULL LAYER OF SELF-ADHERING POLYMER MODIFIED BITUMEN MEMBRANE: The entire roof deck has been covered with an ASTM D1970 compliant self-adhering membrane("peel & stick") is installed over the entire roof deck.
- Other . Describe:

3. Drip Edge Installation

Indicate that a drip edge has been installed according to the FORTIFIED requirements

- A drip edge has been installed along eave edges and gable rakes. Drip edges extend 1/2-inch below sheathing and extend back on the roof a minimum of 2 inches. Drip edge overlap at joints is a minimum of 3 inches. Drip edge is attached using roofing nails long enough to penetrate the roof deck at a maximum of 12 inches o.c. in an alternating (staggered) pattern along the length of the drip edge with adjacent fasteners placed near opposite edges of the leg/flange of the drip edge on the roof. Drip edge at the eave is installed under the underlayment.

4. Roof Covering Compliance

a.) Warranty Information

I, the licensed roofer/contractor whose name and signature appears below, do hereby certify that the roof cover for the address above was newly installed on the date noted, and confirm that the installation was completed as indicated in the responses below.

A warranty of _____ years for materials was provided to the homeowner at the time of completion.

A warranty of _____ years for workmanship was provided to the homeowner at the time of completion

b.) Permit Information (if required by local building authority)

Permit Number _____ Dated _____
Issued by the _____ (County/City/State) building department.

The final inspection from the Building Department was conducted on _____.

OR

Initial here if no permit was issued for this property for the work above.

If an asphalt shingle roof has been applied, complete item c.

If a tile roof has been applied, complete item d.

If a metal roof has been applied, complete item e.

If a system other than asphalt shingles, tile or metal has been applied, complete item f.

c.) Shingle Roof Covering Certification (check all that apply)

- ASTM D3161 Class F
- ASTM D7158 Class G
- ASTM D7158 Class H
- UL2218 Class 4

Enter shingle manufacturer/ product name _____

d.) Tile Roof Covering Installation

Listed below are the FORTIFIED requirements for roof tile installation. A check in the box beside each requirement indicates that the tile installation is in compliance with that requirement.

- Tile is installed in accordance with FRSA/TRI Florida High Wind Concrete and Clay Tile Installation Manual (5th Edition) for a 140 mph, Exposure B condition
- Underlayment is installed in accordance with the FRSA/TRI Florida High Wind Concrete and Clay Tile Installation Manual for a 140 mph, Exposure B condition
 - Single ply self-adhered membrane – OR
 - Two ply with base sheet and cap sheet attachment
- Metal flashing installed in accordance with FRSA/TRI Florida High Wind Concrete and Clay Tile Installation Manual
- Tile attachment is in accordance with FRSA/TRI Florida High Wind Concrete and Clay Tile Installation Manual guidelines for 140 mph, Exposure B – indicate type of attachment system used:
- Mechanical roof tile attachment:
 - Fastener type
 - Fastener size
 - Fastener quantity (per tile)
- Adhesive foam attachment
 - Adhesive foam (product name)
 - Size of paddy (per tile)
- Hip and Ridge Tile Installation is in accordance with FRSA/TRI Florida High Wind Concrete and Clay Tile Installation Manual guidelines
- No mortar set attachment system was used
- No "loose laid" tile installation system was used

Indicate whether the tile product meets either of the following impact ratings:

- FM 4473 Class 3
- FM 4473 Class 4

Provide the specific tile product name

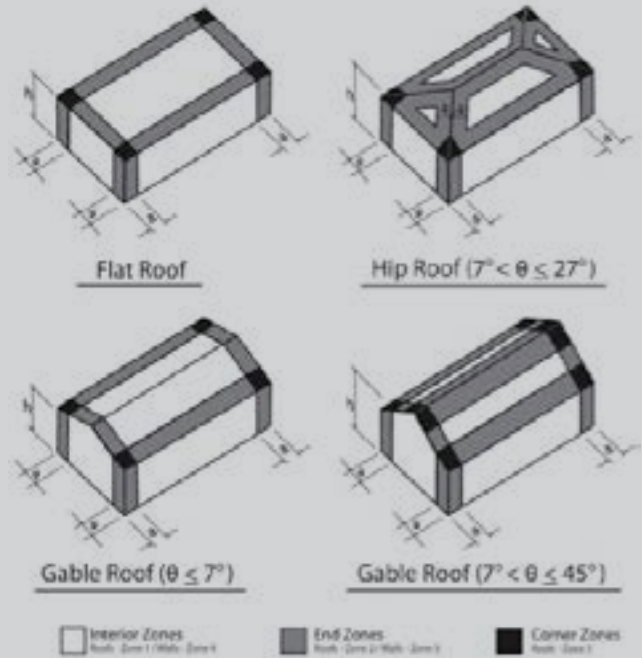
e.) Metal Panel Roof Covering

- Check here to indicate the roof covering was installed in accordance with the roof covering manufacturer's installation instructions for a design wind speed of $V_{asd}=110$ mph ($V_{ult}=140$ mph)

Specify the manufacturer and product, panel gauge, fastener type, size, and spacing that were installed

- Manufacturer
- Model/product number
- Panel gauge
- Fastener type and size
- Fastener spacing
 - Uniform spacing throughout the roof: on center
 - OR
 - spacing varies depending on roof wind zone:
 - Zone 1 spacing: on center
 - Zone 2 spacing: on center
 - Zone 3 spacing: on center

- UL 2218 Class 4



Note: $a = 4'$
Indicate whether the metal roofing product meets the following impact rating:

f.) "Other" Type of Roof Covering (not shingle, tile or metal)

Specify roof type and manufacturer

Describe how the roof covering and attachment system meet the design pressures resulting from a design wind speed of $V_{asd}=110$ mph ($V_{ult}=140$ mph)

Indicate whether this roofing product meets any of the following impact ratings:

- UL 2218 Class 4
- FM 4473 Class 3

5. Other Roof Related Items

- Check here if skylights or light tunnels are installed on the roof

Skylights and light tunnels must be installed in accordance with the manufacturer's high wind installation instructions. Were the skylights/ light tunnels installed in accordance with those installation guidelines?

- Yes
- No

- Check here if photovoltaic (PV) panels are installed on the roof

PV panels must be installed and anchored to the roof to resist wind loads. Were engineered anchorage details provided and were the PV panels installed and anchored in accordance with those anchorage details?

- Yes
- No

RCF-HWH CERTIFICATION

I certify that the above information is true and accurate to the best of my knowledge as of the date shown below and I understand that false or fraudulent information with the intent to deceive will be reported under insurance fraud guidelines.

Address:

City:

State:

Signature:

Date:

Printed Name:

Company:

Phone number:

Address:

City:

State:

License Number or Registration Number:

Note: Completion of this form in its entirety does not, by itself, satisfy FORTIFIED requirements for attached structure anchorage. Additional information presented by the FORTIFIED Evaluator will also be considered in determining if FORTIFIED attached structure anchorage requirements have been satisfied.